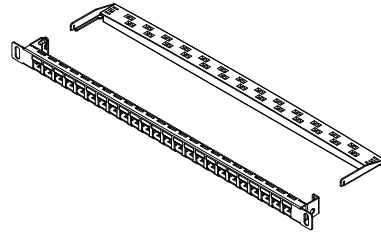




**1 This instruction sheet applies to the following HPW products:**

HDPJ24  
HDPJS24  
HDPJ24A



**Note: HDPJ Panels are compatible with HXJ, NSJ, HJUxx, HJS6A and HJS6 (no colored faces) jacks. HDPJ series panels are not compatible with HJSxx series jacks with colored faces installed. Remove colored face before installing jack into panel.**

ITEM	DESCRIPTION	HDPJ24 QTY	HDPJS24 QTY	HDPJ24A QTY
1	Unloaded Adapter Panel	1	1	1
2	Cable Manager Bar	1	1	1
3	Screw,#12-24 Pan Head, Phillips	2	2	2
4	Wire Tie	24	24	24
5	Grounding Strap	0	1	0

**2 Mounting Panel Assembly to Rack (See Figure 1)**

1. Mount panels onto standard 19" relay rack with supplied mounting hardware as shown.

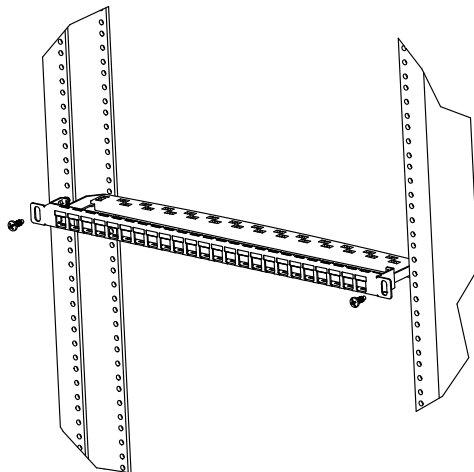


FIGURE 1

**3 Jack Termination & Assembly**

1. Terminate individual jack, snapfits and modules utilizing instruction sheets provided with each product.
2. Engage fixed latch on terminated jack, snapfits or modules into unloaded panel as shown in Figure 2.
3. Rotate connector into position to engage spring latch.

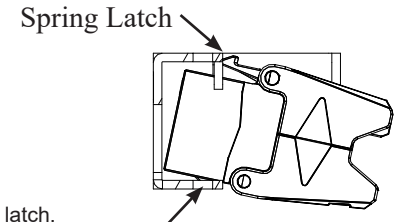


FIGURE 2

HJU Jack (shown)

**CAUTION** Do not terminate jacks in panel.

**4 Cable Management Bar Assembly**

1. Engage one tab on the cable management bar brackets into the slot on the rear of the panel.
2. Apply a slight force to bend the other tab into the second slot.
3. Push the cable manager bar downward to engage the tabs into the locking groove on the panel. The tabs will snap into place.
4. Use the supplied wire ties to secure cables to the cable manager bar.

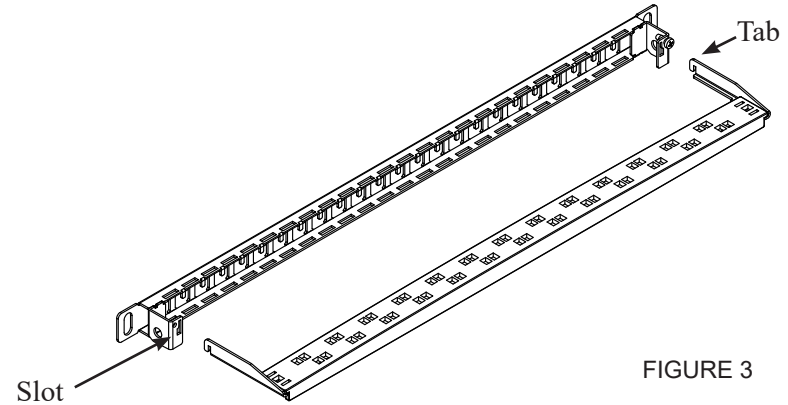
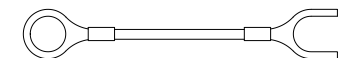
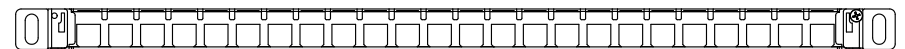


FIGURE 3

**5 Grounding (HDPJS24)**



Grounding Strap



Ground Screw

FIGURE 4

1. Attach one end of the grounding strap to the grounding screw on the rear of the panel.
2. Attach the other end of the grounding strap to an appropriate ground source.